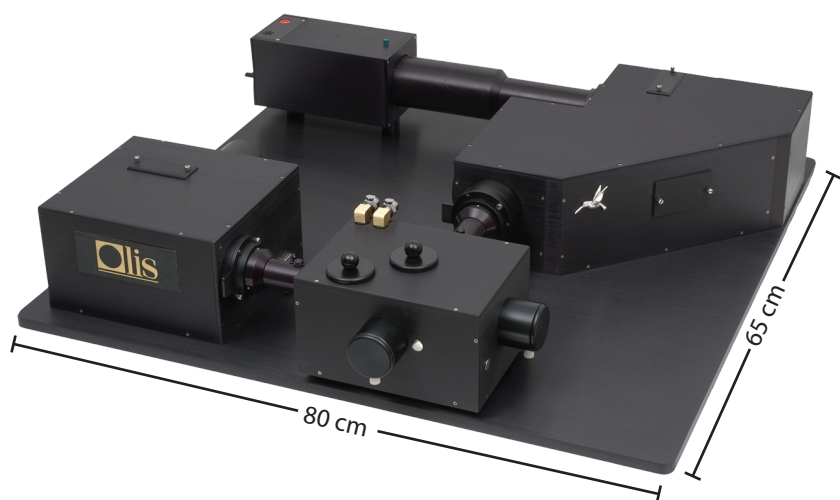


OLIS DM 245

Effectively the DSM 20 and CPL Solo in one

Duplicates the measurements supported on the OLIS DSM 172, but without NIR, and in a smaller, 100% brand-new body. The DM 245 uses one single grating monochromator plus an OLIS Hummingbird subtractive double for better stray light rejection and thus superior attributes for absorbance. This instrument also employs a Hamamatsu photon counting PMT and broad-band, steady-state xenon arc lamp.



Standard Acquisition Mode:

Absorbance
Fluorescence

Enhancements Supported:

CLARiTY
Circular Dichroism
Circularly Polarized Luminescence
Phosphorescence Lifetime
Peltier Thermal Control
Stopped Flow
Thin Film Holder
Titrator

OLIS DM 245 SPECIFICATIONS

Light Source	75 watt xenon arc lamp. Optional: 150 watt xenon arc lamp
Excitation Monochromator	Single concave, 1200 l/mm Optional: Double concave, 1200 l/mm, 250 nm or 450 nm blaze
Emission Monochromator	Single concave grating, 1200 l/mm, 450 nm blaze Optional: Single concave grating, 1200 l/mm, 250 nm or 350 nm blaze
Wavelength Range	185 - 1100 nm
Measuring Wavelength Range (photon counting)	230 - 870 nm
Spectral Bandwidth	0.5, 2.4, 5.0, 13 and 25 nm.
Wavelength Accuracy	± 0.2 nm
Monochromator Motor Step	0.125 nm/step
Sensitivity	S/N of 2200 (75 watt lamp) Optional: S/N of 4000 (150 watt lamp); Conditions: 350 nm excitation, 5 nm bandwidth, 1 sec integration
Maximum Data Collection Rate	20 Hz; Optional 20 MHz (DM 45K)
Integration Time	10 ms to 100 s
Wavelength Scanning Speed	2000 nm/min
Wavelength Slewing Speed	60 nm/sec
Interface	RS232 and/or USB