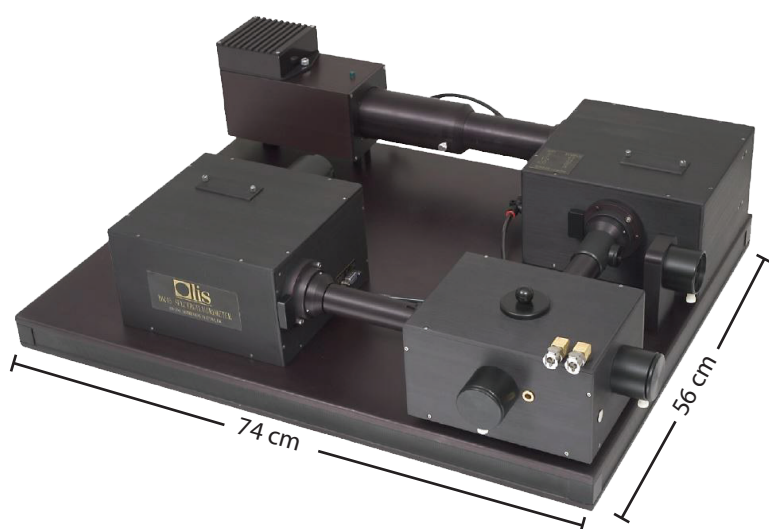


OLIS DM 45

Our most sensitive fluorimeter

Developed as a workhorse fluorimeter with easy modularity and relentless reliability, the DM 45 is frequently upcycled to include polarization of fluorescence, circularly polarized luminescence, and more. Two single grating monochromators, a steady-state xenon arc lamp, and the Hamamatsu photon counting detector are operated using OLIS SpectralWorks.



Standard Acquisition Mode: Fluorescence

Enhancements Supported:

- CLARITY
- Absorbance
- Circularly Polarized Luminescence
- Phosphorescence Lifetime
- Peltier Thermal Control
- Stopped Flow
- Thin Film Holder
- Titration

OLIS DM 45 SPECIFICATIONS

Light Source	75 watt xenon arc lamp. Optional: 150 watt xenon arc lamp
Excitation Monochromator	Single concave 1200 l/mm, 350 nm blaze Optional: Single concave 1200 l/mm, 250 nm or 450 nm blaze
Emission Monochromator	Single concave grating, 1200 l/mm, 450 nm blaze Optional: Single concave grating, 1200 l/mm, 250 nm or 350 nm blaze
Wavelength Range	200 - 870 nm
Measuring Wavelength Range (photon counting)	230 - 870 nm
Spectral Bandwidth	0.5, 2.4, 5.0, 13 and 25 nm.
Wavelength Accuracy	± 0.2 nm
Monochromator Motor Step	0.125 nm/step
Sensitivity	S/N of 2200 (75 watt lamp) Optional: S/N of 4000 (150 watt lamp); Conditions: 350 nm excitation, 5 nm bandwidth, 1 sec integration
Integration Time	10 ms to 100 s
Wavelength Scanning Speed	2000 nm/min
Wavelength Slewing Speed	60 nm/sec
Interface	RS232 and/or USB